

## APPLICATION

The Brand-Rex Augmented Category 6 unshielded jack is part of the Brand-Rex **10GPlus** cabling system. The **10GPlus** cabling system is comprised of high performance cables and connectivity which not only provide a reliable platform for all of today's network applications, but is also designed to future-proof networks for the emerging, new, high speed protocols of tomorrow, such as 10GBASE-T. Our **10GPlus** system is verified as an Augmented Category 6 and Class E<sub>A</sub> solution set that is fully backwards compatible to Cat6 (Class E) and Cat5e (Class D) products. The jack is fully compatible with all our UK and Continental style faceplates and patch panel products.

## FEATURES

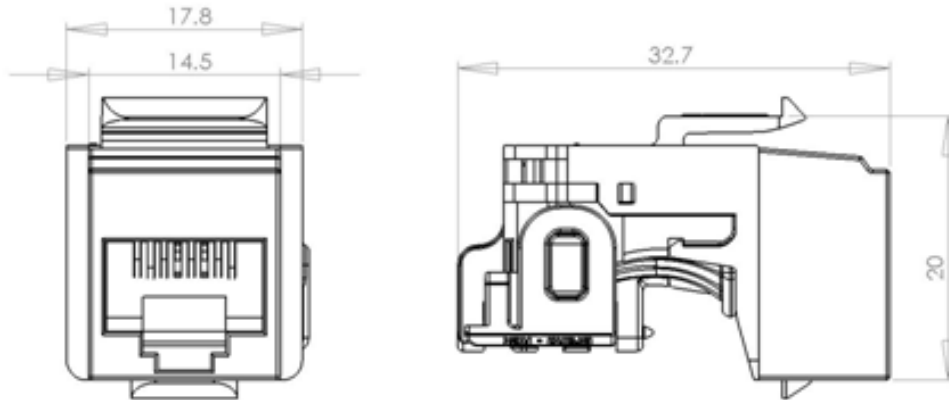
- Fast termination time
- Patented contact array providing standards compliance electrical performance
- Low contact insertion force guaranteeing tool free termination.
- Compact Design:
  - 16.3mm width
  - 32mm depth
- Colour coded contact array clearly distinguishes high performance **10GPlus** and **Cat6Plus** jacks
- Rear, top or side entry cable configuration for maximum flexibility
- Tool free re-termination.



## ORDER INFO

Brand-Rex Part Number	Revision	Item Description	Weight per Item (nom)	Qty per Pack
AC6JAKU002	B	Cat6A Un-Shielded Tool Free Jack	20g	12

## PHYSICAL CHARACTERISTICS



### APPLICABLE PRODUCT STANDARDS

- ISO/IEC category: Category6A performance connector for use in Class E<sub>A</sub> cabling systems
- ISO/IEC 11801 ed 2.2 (2011)
- IEC 60603-7
- EIA/TIA 568C series: Category 6A performance

### ENVIRONMENTAL CONDITIONS

- Operating temperature from -10°C to 60°C at 93% relative humidity, non-condensing
- Storage temperature from -40°C to 70°C

### ELECTRICAL CHARACTERISTICS

Voltage Proof	1500V dc / ac peak
Current-temperature derating	compliant with IEC 60603-7
Contact Resistance	<20mΩ
Insulation Resistance	>500MΩ
Coupling attenuation	>61dB

### MECHANICAL SPECIFICATION

IDC Contacts:	Accept solid wires 26-22AWG
Apertures:	The product fits into 14.9mm x 19.8mm (WxH) cut outs with 1.5mm-1.6mm plate thickness.
Repeat plug insertions:	>750 mating cycles with an IEC 60603-7 complaint plug Product tested to 2500 insertion cycles
Wiring:	T568 A and B wiring types

Note that each product pack contains a full installation instruction.

### REGULATIONS & COMPLIANCE

RoHS 2011/65/EU Compliant

*“Brand-Rex is **dedicated to designing, developing and manufacturing sustainable high performance structured cabling and speciality cabling solutions**”*

The information contained in this document is valid and correct at the time of issue. Brand-Rex reserves the right to modify details without notice in light of subsequent standard/specification changes and ongoing technical developments.