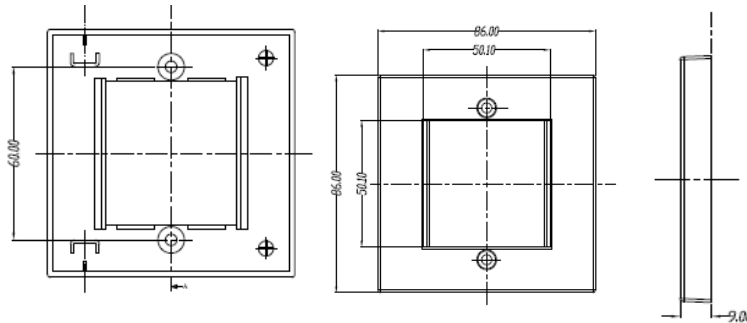


Draka UC^{Connect} ACC

European Flush Faceplate (86x86)



Technical data

Material Code	Material Description	Description Code	Weight	Items per Packaging Unit
1021334	YFPBP00128 European Flush Plate 86X86 (50x50)	UC CACC FP 2 EU	23g	1 or 50
Related Products				
Material Code	Material Description	Description Code	Weight	Items per Packaging Unit
1021253	YMSBP00093 Cat5e UTP 50x25 Module 180° Punchdown in White	UC C300 MS TR U WH	22g	1 or 50
1021266	YMSBP00100 Cat6 UTP 50x25 Module 180° Punchdown in White	UC C400 MS TR U WH	11,7g	1 or 50
1021333	YAABP00127 Angled Single Port Adaptor 25 X 50	UC CACC AA 01 EU	8g	1 or 50
1021329	YMABP00123 Flat Single Adaptor 25 x 50	UC CACC MA 01 EU	8g	1 or 50
1021321	YBIBP00121 Blank Euromod Insert 12.5 x 25	UC CACC BI 1/2 EU	3,1g	1 or 50
1021336	YBIBP00130 Blank Euromod Insert 25 x 50	UC CACC BI 01 EU	4g	1 or 50

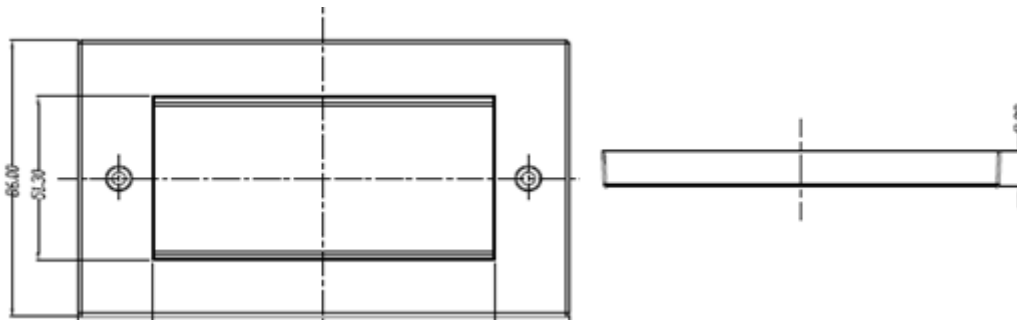
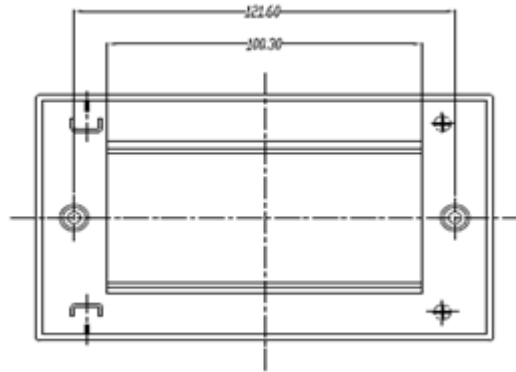
© PRYSMIAN GROUP 2013, All Rights Reserved

All sizes and values without tolerances are reference values. Specifications are for product as supplied by Prysmian Group: any modification or alteration afterwards of product may give different result.

The information contained within this document must not be copied, reprinted or reproduced in any form, either wholly or in part, without the written consent of Prysmian Group. The information is believed to be correct at the time of issue. Prysmian Group reserves the right to amend this specification without prior notice. This specification is not contractually valid unless specifically authorised by Prysmian Group.

Draka UC^{Connect} ACC

European Flush Faceplate (146x86)



Technical data

Material Code	Material Description	Description Code	Weight	Items per Packaging Unit
1021335	YFPBP00129 European Flush Plate 146X86 (100x50)	UC CACC FP 4 EU	33g	1 or 50
Related Products				
Material Code	Material Description	Description Code	Weight	Items per Packaging Unit
1021253	YMSBP00093 Cat5e UTP 50x25 Module 180° Punchdown in White	UC C300 MS TR U WH	22g	1 or 50
1021266	YMSBP00100 Cat6 UTP 50x25 Module 180° Punchdown in White	UC C400 MS TR U WH	11,7g	1 or 50
1021333	YAABP00127 Angled Single Port Adaptor 25 X 50	UC CACC AA 01 EU	8g	1 or 50
1021329	YMABP00123 Flat Single Adaptor 25 x 50	UC CACC MA 01 EU	8g	1 or 50
1021321	YBIBP00121 Blank Euromod Insert 12.5 x 25	UC CACC BI 1/2 EU	3,1g	1 or 50
1021336	YBIBP00130 Blank Euromod Insert 25 x 50	UC CACC BI 01 EU	4g	1 or 50

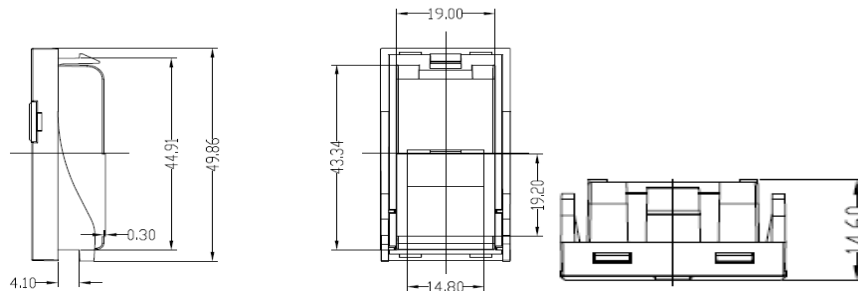
© PRYSMIAN GROUP 2013, All Rights Reserved

All sizes and values without tolerances are reference values. Specifications are for product as supplied by Prysmian Group: any modification or alteration afterwards of product may give different result.

The information contained within this document must not be copied, reprinted or reproduced in any form, either wholly or in part, without the written consent of Prysmian Group. The information is believed to be correct at the time of issue. Prysmian Group reserves the right to amend this specification without prior notice. This specification is not contractually valid unless specifically authorised by Prysmian Group.

Draka UC^{Connect} ACC

Flat Single Adaptor 25 x 50



Technical data

Material Code	Material Description	Description Code	Weight	Items per Packaging Unit
1021329	YMABP00123 Flat Single Adaptor 25 x 50	UC CACC MA 01 EU	8g	1 or 50
Related Products				
Material Code	Material Description	Description Code	Weight	Items per Packaging Unit
1021334	YFPBP00128 European Flush Plate 86X86 (50x50)	UC CACC FP 2 EU	23g	1 or 50
1021335	YFPBP00129 European Flush Plate 146X86 (100x50)	UC CACC FP 4 EU	33g	1 or 50
1021270	YMJBP00103 Cat6A FTP Keystone Jack 180° Toolless in Silver	UC C500 MJ TF S	22g	1 or 50
1021261	YMJBP00096 Cat.6 FTP Keystone Jack 180° Toolless in Silver	UC C400 MJ TF S	11,7g	1 or 50
1021262	YMJBP00097 Cat6 UTP Keystone Jack 180° Toolless Black	UC C400 MJ TF U BK	8g	1 or 50
1021252	YKJBP00091 Cat5e UTP Keystone Jack 180° Toolless Black	UC C300 MJ TF U BK	8g	1 or 50

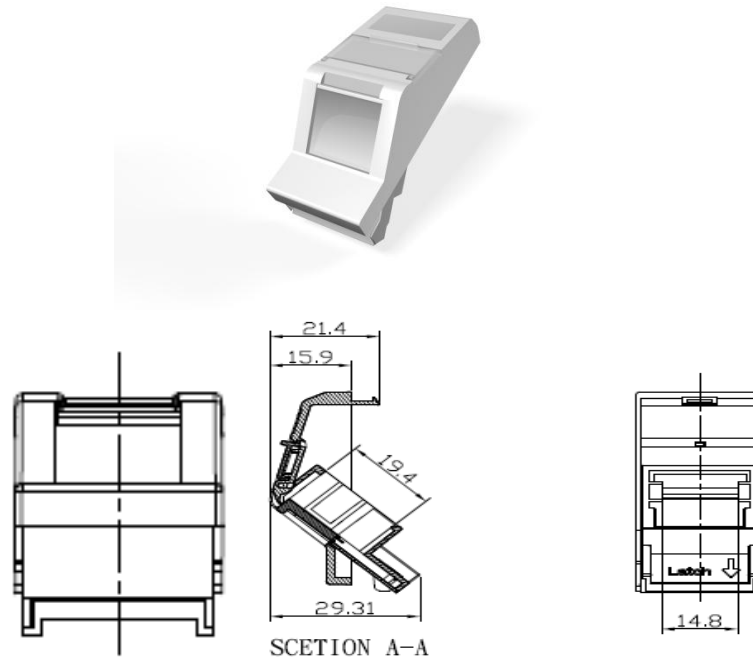
© PRYSMIAN GROUP 2013, All Rights Reserved

All sizes and values without tolerances are reference values. Specifications are for product as supplied by Prysmian Group: any modification or alteration afterwards of product may give different result.

The information contained within this document must not be copied, reprinted or reproduced in any form, either wholly or in part, without the written consent of Prysmian Group. The information is believed to be correct at the time of issue. Prysmian Group reserves the right to amend this specification without prior notice. This specification is not contractually valid unless specifically authorised by Prysmian Group.

Draka UC^{Connect} ACC

Angled Single Adaptor 25 x 50



Technical data

Material Code	Material Description	Description Code	Weight	Items per Packaging Unit
1021333	YAABP00127 Angled Single Port Adaptor 25 X 50	UC CACC AA 01 EU	8g	1 or 50
Related Products				
Material Code	Material Description	Description Code	Weight	Items per Packaging Unit
1021334	YFPBP00128 European Flush Plate 86X86 (50x50)	UC CACC FP 2 EU	23g	1 or 50
1021335	YFPBP00129 European Flush Plate 146X86 (100x50)	UC CACC FP 4 EU	33g	1 or 50
1021270	YMJBP00103 Cat6A FTP Keystone Jack 180° Tool-less in Silver	UC C500 MJ TF S	22g	1 or 50
1021261	YMJBP00096 Cat.6 FTP Keystone Jack 180° Tool-less in Silver	UC C400 MJ TF S	11,7g	1 or 50
1021262	YMJBP00097 Cat6 UTP Keystone Jack 180° Tool-less Black	UC C400 MJ TF U BK	8g	1 or 50
1021252	YKJBP00091 Cat5e UTP Keystone Jack 180° Tool-less Black	UC C300 MJ TF U BK	8g	1 or 50

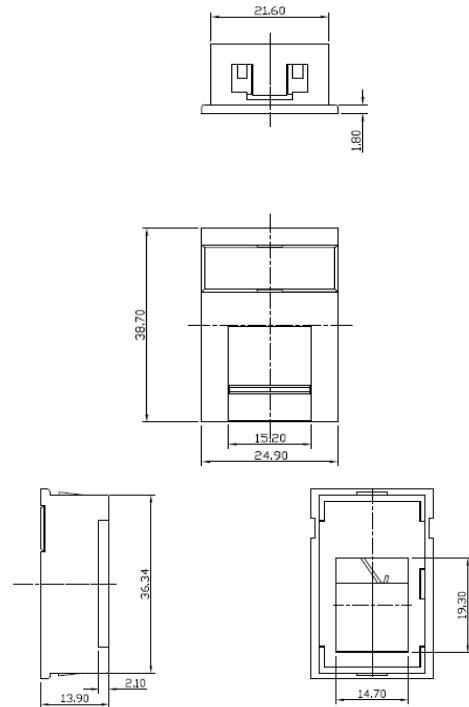
© PRYSMIAN GROUP 2013, All Rights Reserved

All sizes and values without tolerances are reference values. Specifications are for product as supplied by Prysmian Group: any modification or alteration afterwards of product may give different result.

The information contained within this document must not be copied, reprinted or reproduced in any form, either wholly or in part, without the written consent of Prysmian Group. The information is believed to be correct at the time of issue. Prysmian Group reserves the right to amend this specification without prior notice. This specification is not contractually valid unless specifically authorised by Prysmian Group.

Draka UC Connect ACC

LJ6C Flat Single Adaptor 38 x 25



Technical data

Material Code	Material Description	Description Code	Weight	Items per Packaging Unit
YPMAP01842	LJ6C Flat Single Adaptor 38 X 25	UC CACC MA 01 6C V1	8g	1 or 50
Related Products				
Material Code	Material Description	Description Code	Weight	Items per Packaging Unit
YFPBP01840	Single port UK frame 86x86 (LJ6C Type)	UC CACC FP 01 6C V1	8g	1 or 50
YFPBP01841	Dual port UK frame 86x86 (LJ6C Type)	UC CACC FP 02 6C V1	8g	1 or 50

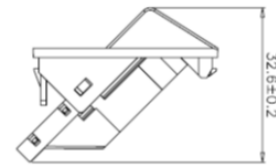
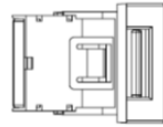
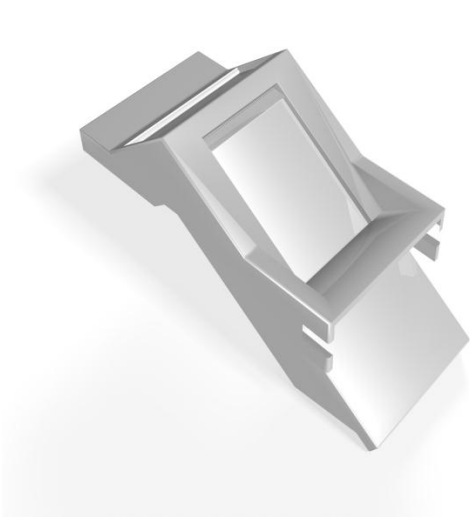
© PRYSMIAN GROUP 2013, All Rights Reserved

All sizes and values without tolerances are reference values. Specifications are for product as supplied by Prysmian Group: any modification or alteration afterwards of product may give different result.

The information contained within this document must not be copied, reprinted or reproduced in any form, either wholly or in part, without the written consent of Prysmian Group. The information is believed to be correct at the time of issue. Prysmian Group reserves the right to amend this specification without prior notice. This specification is not contractually valid unless specifically authorised by Prysmian Group.

Draka UC Connect ACC

LJ6C Angled Single Adaptor 38 x 25



Technical data

Material Code	Material Description	Description Code	Weight	Items per Packaging Unit
YAABP01691	LJ6C Angled Single Adaptor 38 x 25	UC CACC AA 01 6C V1	8g	1 or 50
Related Products				
Material Code	Material Description	Description Code	Weight	Items per Packaging Unit
YFPBP01840	Single port UK frame 86x86 (LJ6C Type)	UC CACC FP 01 6C V1	8g	1 or 50
YFPBP01841	Dual port UK frame 86x86 (LJ6C Type)	UC CACC FP 02 6C V1	8g	1 or 50

© PRYSMIAN GROUP 2013, All Rights Reserved

All sizes and values without tolerances are reference values. Specifications are for product as supplied by Prysmian Group: any modification or alteration afterwards of product may give different result.

The information contained within this document must not be copied, reprinted or reproduced in any form, either wholly or in part, without the written consent of Prysmian Group. The information is believed to be correct at the time of issue. Prysmian Group reserves the right to amend this specification without prior notice. This specification is not contractually valid unless specifically authorised by Prysmian Group.