

S30-1SLC/B-60

SFP-Port Gigabit-Single Fiber GBIC Transc. (TX: 1490nm \ RX: 1310nm) - 60Km - SM

Overview

The UTC Fire & Security transceiver module is specifically designed to accommodate high-performance optical fiber, including integrated duplex data link over single mode. Compliant with the SFP Multisource Agreement (MSA), these transceiver modules feature hot-plug capability for easy installation without interrupting host equipment operating online. The SFP transceiver can install into UTC Fire & Security switch products with 100Base-FX or 1000Base-SX/LX SFP interface.



Details

- SFP multi-source agreement compliant
- Data rate 1.25Gbps
- Class 1 laser safety standard IEC 60825 compliant
- 1(single) Fiber to be deployed together with S30-1SLC/A-60
- LC connector
- Low power dissipation
- Plug-and-play capability for easy installation
- Hot Pluggable
- 0°C to +50°C operation temperature
- TTL signal detect indicator
- Single power supply 3.3V
- Comply with the IEEE 802.3ab

S30-1SLC/B-60

SFP-Port Gigabit-Single Fiber GBIC Transc. (TX: 1490nm \ RX: 1310nm) - 60Km - SM

Technical Specifications

General

Category	SFP
Port type	Single Mode
No. of fibers	1
Port speed	Gigabit
Wavelength	1310 nm, 1490 nm
Maximum distance	60 km
Number of Fibers :	1
Fiber Type :	Single-Mode
Max. Distance :	60km
TX \ RX Wavelength :	1490nm \ 1310nm
TX Wavelength	1490nm
Connector :	LC
PHY Type :	1000BX60-D
Power (dBm)	0 ~ +5
RX Sen. (dBm)	-24
Power Budget	24

Environmental

Operating temperature	0 to +50°C
-----------------------	------------

Electrical and Mechanical

Input Voltage	3.3V DC
Dimensions (W x D x H)	2.20 x 0.59 x 0.49 in. (59 x 15 x 12.4 mm)
Weight (ounces, grams)	0.6 oz, 18g
Storage Temperature	-40 ~ 85° C
Relative Humidity	5% ~ 95% (non-condensing)
Reliability	>50,000 hrs @ 25° C

Transmitter Electro-Optical Interface

EMI	EN 55022 CLASS A:2006+A1 : 2007 / EN61000-3-2:2006 / EN61000-3-3: 1995+A1:2001+A2:2005
Optical Output Power :	Min. : 0dBm, Type : -, Max. : +5dBm
Power Budget :	24
Receiver :	-24dBm

Environmental Specifications

Operating Temperature :	0°C~+50°C
Operating Relative Humidity :	5%~95% (non-condensing)
Storage Temperature :	-40°C~+85°C
Storage Relative Humidity :	5%~95% (non-condensing)

Electrical Specification

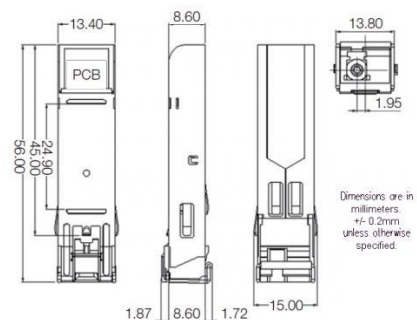
Input Voltage :	3.3V DC
AS/NZS CISPR 22 :	2006

Reliability

MTBF :	> 50,000 hrs @ 25°C
--------	---------------------

Standards Conformance

Standards Compliance :	IEEE 802.3ab Fast Ethernet Standard
Standards Compliance :	Class 1 laser product complies with EN 60825-1



As a company of innovation, UTC Fire & Security reserves the right to change product specifications without notice. For the latest product specifications, visit UTC Fire & Security online or contact your sales representative.