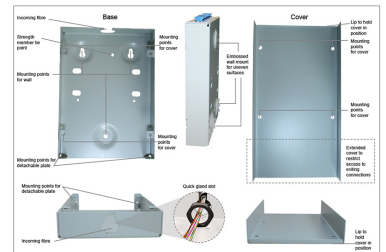
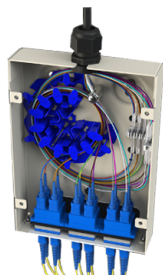
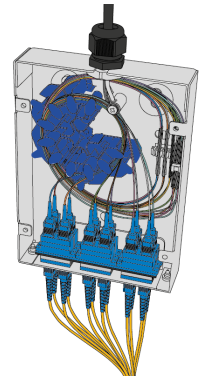


Product updated on June 04, 2018

TW07 TW09 Tamper Proof Wall Box - 1 LGX Assembly



Our tamper resistant wall enclosures can be assembled to fit any installation requirements, offering a wide range of flexibility to the end user. You can choose to have the enclosure pre-loaded with adapters only or fully loaded with pigtails to save valuable time on site. The standard enclosure includes the newly designed speedway spool to protect the bend radius of each fiber, cable gland for incoming fiber and splice holders.

FEATURES/BENEFITS

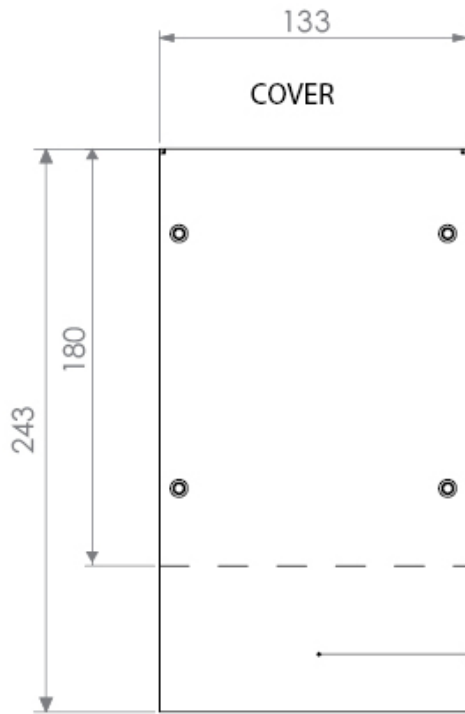
- Cable management kit included
- Interchangeable modular adapter plate
- Fitted with security screws
- Single or double module versions available
- Extended cover to restrict access to exiting connections
- Strength member tie position
- Suitable for pre-terminated cables or splicing
- IP20

APPLICATIONS

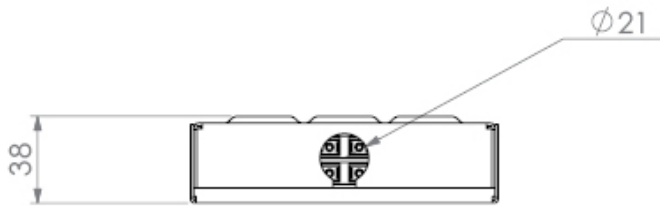
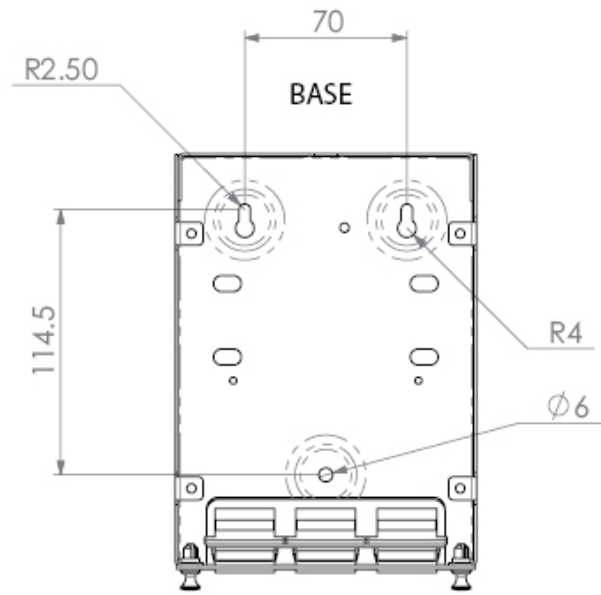
- Internal application
- Data Centre or telecommunications networks
- For use in multi dwelling units or demarcation points within a network

SPECIFICATIONS

DESCRIPTION	VALUE
Height	243mm
Width	133mm
Depth	38mm
Net weight	0.8kg
Packaged weight	0.9kg
Packaged dimensions	265mm (H) x 140mm (W) x 45mm (D)
Suitable for adapter type	ST, FC, SC Simplex, LC Duplex, E2000
Number of fibers	Up to 16 fibers
Material	Cold-rolled steel
Material thickness	Tray: 1.2mm
Material coating	Powder coating
Colour	Grey RAL 7035 Black 9004
Operating temperature	-40°C to +60°C
Designed in accordance with	TIA/EIA 568.C, ISO/IEC 11801, EN50173, IEC60304, IEC61754,
Compliant to	RoHS, Reach/SVHC



Extended cover to restrict access to exiting connections



ORDERING INFORMATION

Description	PART NO.
Single LGX Wall Enclosure - Grey	TW07XXX00
Single LGX Wall Enclosure - Black	TW09XXX00

Optional Extras:

Front plate and adapters, splice protector 45mm, pigtails.



SCAN QR FOR PRODUCT PAGE

FURTHER INFORMATION

- For additional information please contact your sales representative
- To view the product 360 visit the product page (Scan the QR code or visit the link below)
- Downloaded from <https://www.aflhyperscale.com/product/tw07-tw09-tamper-proof-wall-box-1-lgx-assembly>
- AFL reserves the right to make changes in this datasheet at any time without notice
- Information in this document is correct as of June 04, 2018

Europe

+44 (0) 1908 441 144
emeasales@aflhyperscale.com
© Optronics 2018

Americas

+1 800 790 9932
usasales@aflhyperscale.com

Middle East & Africa

+971 4 404 9606
mesales@aflhyperscale.com

India

+91 80 46874687
indiasales@aflhyperscale.com

Asia Pacific

+86 755 2561 3694
apacsales@aflhyperscale.com