

Cat6Plus Cat6 Un-Shielded Tool-Free Jack

Datasheet: GD070640v6

APPLICATION

The Brand-Rex Category 6 unshielded Snap-In jack is part of the Brand-Rex **CAT6Plus** cabling system. The **CAT6Plus** cabling system is comprised of high performance cables and connectivity which not only provide a reliable platform for all of today's network applications, but is also designed to future-proof networks for the emerging, new, high speed protocols of tomorrow. Our **1 CAT6Plus** system is verified as an Category 6 and Class E solution set that is fully backwards compatible to with Cat5e (Class D) products. The jack is fully compatible with all our UK and Continental style faceplates and patch panel products.

FEATURES

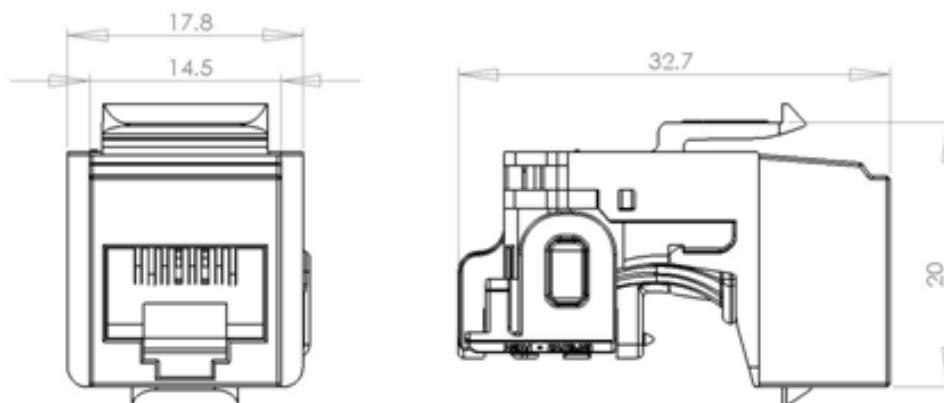
- Fast termination time
- Patented contact array providing standards compliance electrical performance
- Low contact insertion force guaranteeing tool free termination.
- Compact Design:
 - 16.3mm width
 - 32mm depth
- Colour coded contact array clearly distinguishes high performance 10GPlus and Cat6Plus jacks
- Rear, top or side entry cable configuration for maximum flexibility
- Tool-free re-termination.



ORDER INFO

Brand-Rex Part Number	Item Description	Colour	Weight per Item (nom)	Qty per Pack
C6CJAKU002	Cat6Plus Cat6 Un-Shielded Tool-Free Snap-In Jack	Grey	15g	12

PHYSICAL CHARACTERISTICS



APPLICABLE PRODUCT STANDARDS

- ISO/IEC category: Category 6 performance connector for use in Class E cabling systems
- ISO/IEC 11801 ed 2.2 (2011)
- IEC 60603-7, 7-1, 7-41
- EIA/TIA 568C series: Category 6 performance

ENVIRONMENTAL CONDITIONS

- Operating temperature from -10°C to 60°C at 93% relative humidity, non-condensing
- Storage temperature from -40°C to 70°C

ELECTRICAL CHARACTERISTICS

- Voltage Proof: 1500V dc / ac peak
- Current-temperature derating: compliant with IEC 60603-7
- Contact Resistance: <20mΩ
- Insulation Resistance: >500MΩ
- Coupling attenuation: >61dB

MECHANICAL SPECIFICATION

- IDC Contacts: Accept solid wires 24-22AWG
- Apertures: The product fits into 14.9mm x 19.8mm (WxH) cut outs with 1.5mm-1.6mm plate thickness.
- Repeat plug insertions: >750 mating cycles with an IEC 60603-7 compliant plug
Product tested to 2500 insertion cycles
- Wiring: T568 A and B wiring types
- Contact Pins: Phosphor Bronze, Nickel Plated with selective gold plating (50micro-inch min) over contact area
- Note that each product pack contains a full installation instruction.

REGULATIONS & COMPLIANCE

- RoHS 2011/65/EU Compliant

COMPATIBILITY MATRIX

Catalogue Number	Description
MMCPNLX24SIJ*MIL	1RU 24-Port Modular Inline Snap-In Jack Panel with Management Bar
MMCPNLX24SIJ*	1RU 24-Port Modular Staggered Snap-In Jack Panel
MMCPNLX24SIJ*M-B	1RU 24-Port Modular Staggered Snap-In Jack Panel with Management Bar
MMCPNLX24SIJ2MAN	1RU 24-Port Modular Angled Snap-In Jack Panel with Management Bar
MMCPNLX24SIJ*DCI	1RU 24-Port Coloured Insert Snap-In Jack Panel
MMCPNLX48SIJ*	3RU 48-Port Modular Snap-In Jack Panel
49223-CBC	QuickPort In-Ceiling Bracket, includes clip for drop wire/rod mounting
49223-CB0	QuickPort In-Ceiling Bracket, no clip
4S089-2*P	QuickPort 2-Port Surface-Mount Box extended depth
4S089-4*P	QuickPort 4-Port Surface-Mount Box extended depth
MMCDINSIJS8	1-Port DIN Rail Snap-In Jack Module
MMCWDOUNI070	86 x 86 mm 1- Port Shuttered Faceplate
MMCWDOUNI071	86 x 86 mm 2- Port Shuttered Faceplate
MMCWDO06C001	25 x 38 mm Shuttered Floorbox Module
MMCANG06C3	25 x 38 mm Angled Shuttered Floorbox Module
MMCWDOUNI062	25 x 50 mm Shuttered Faceplate Module
MMCANG0623	25 x 50 mm Angled Faceplate Module
MMCANGLGS45002UK	50 x 50 mm 1-Port Angled Snap-In Jack Module
MMCANGLGD45002UK	50 x 50 mm 2-Port Angled Snap-In Jack Module
MMCUNILGS45001	1-Port Snap-In Jack Module
MMCUNILGD45001	2-Port Snap-In Jack Module
MMCANGLGS45002	1-Port Angled Snap-In Jack Module 45 x 45 mm
MMCANGLGD45002	2-Port Angled Snap-In Jack Module 45 x 45 mm
MMCANGDK1453	1-Port 50 x 50 mm German-style Snap-In Jack Module
MMCANGDK2453	2-Port 50 x 50 mm German-style Snap-In Jack Module
MMCUSSIJ2002LO	70 x 115 mm 2-Port Horizontal Faceplate with Brand-Rex logo
MMCUSSIJ3001LO	70 x 115 mm 3-Port Faceplate with Brand-Rex logo
MMCUSSIJ4001LO	70 x 115 mm 4-Port Faceplate with Brand-Rex logo
MMCUSSIJ4001LOICO	70 x 115 mm 4-Port Faceplate with Brand-Rex logo and options for icons
MMCUSSIJ6001LO	70 x 115 mm 6-Port Faceplate with Brand-Rex logo

*“Brand-Rex is **dedicated to designing, developing and manufacturing** sustainable **high performance** structured cabling and speciality **cabling solutions**”*

The information contained in this document is valid and correct at the time of issue. Brand-Rex reserves the right to modify details without notice in light of subsequent standard/specification changes and ongoing technical developments.