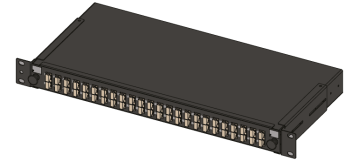


Product updated on June 08, 2018

## S09 1U Black Sliding Patch Panel - 24 Position SC duplex up to 48 fibers



This innovative, robust 1U sliding patch panel. This panel has been designed to accept up to 48 fibers housed within a 1U space. With the ability to use a full array of Adaptor types offering a flexible solution to the end user, enabling them to incorporate a multi functional panel which allow easy access during installation or re-work with no disturbance of the existing cable or fibers. In the addition to the array of adapters the panel also offers multiple cable entry solutions, up to 4 standard cable entry points for, loose tube, tight buffer, pre terminated and steel tape armored cable. Each panels has integrated strength member tie positions also with the additional removable plate at the rear of the panel allows the installation of steel tape armored cable.

### FEATURES/BENEFITS

- Up to 48 fibers in 1U
- Multiple Adaptor options available
- 24 Adaptor positions
- Individually labeled ports
- 45° open working angle
- Accepts loose tube, distribution and pre terminated cables
- RoHS, REACH SvHC and UL rated
- Fits standard 19"

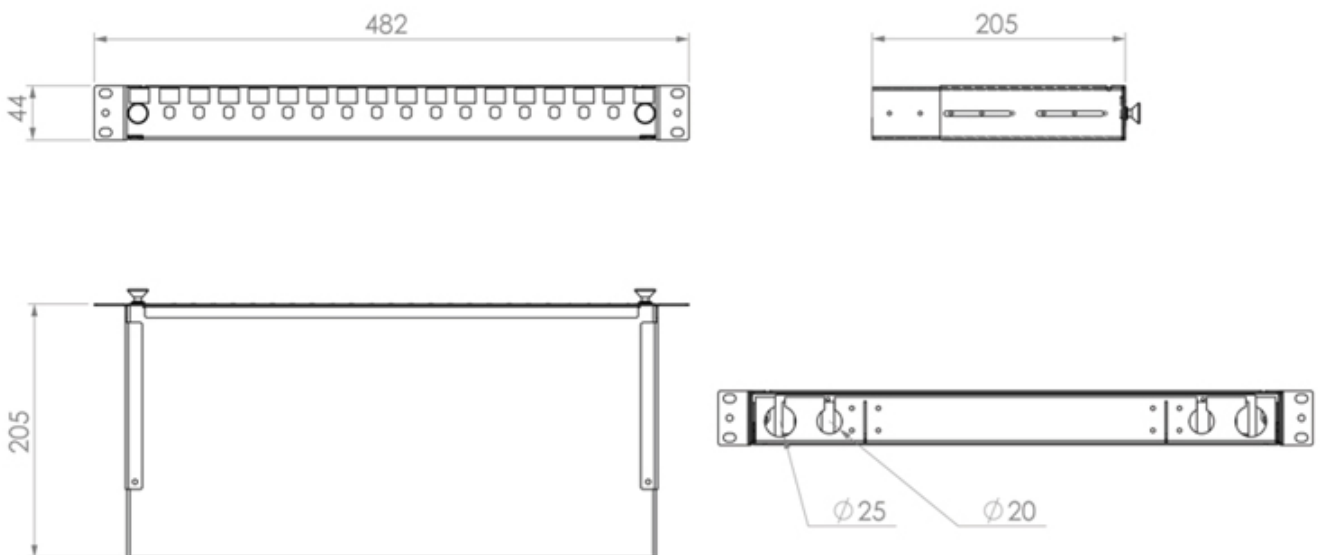
### APPLICATIONS

- Data centers, premise installations, telecommunication networks
- Ethernet, Fiber Channel, ATM, LAN, MAN and WAN
- Data communication
- Indoor applications

## SPECIFICATIONS

ELEMENT	CHARACTERISTIC
U Size	1U (44.4mm)
Width	482mm
Depth	205mm
Net weight	2.5 kgs
Packaged weight	3 kgs
Packaged dimensions	530mm W X 55mm H x 260mm D
IP rating	IP20
Suitable for Adaptor type	SC Duplex
Number of ports	24
Cable Entry 20mm	2
Cable entry 25mm	2
Mounting Adjustment range	50mm
Material	Cold- rolled steel
Material thickness	1.2mm
Material coating	Powder coating
Colour	RAL 9004
Operating temperature	-40°C to +50°C
Designed in accordance with	TIA/EIA 568.C, ISO/IEC 11801, EN50173, IEC60304, IEC61754,
Compliant to	RoHS, Reach/SVHC

## TECHNICAL DRAWING



## ORDERING INFORMATION

1U Black Sliding Patch Panel with SC Duplex <b>Single mode</b> Adaptors	<b>S09SCS24</b>
1U Black Sliding Patch Panel with SC Duplex <b>Multimode</b> Adaptors	<b>S09SCM24</b>
1U Black Sliding Patch Panel with SC Duplex <b>Multimode</b> Erika Violet Adaptors	<b>S09SCV24</b>
1U Black Sliding Patch Panel with SC APC Duplex <b>Single mode</b> Adaptors	<b>S09SCA24</b>



SCAN QR FOR PRODUCT PAGE

## FURTHER INFORMATION

- For additional information please contact your sales representative
- To view the product 360 visit the product page (Scan the QR code or visit the link below)
- Downloaded from <https://www.aflhyperscale.com/product/s09-1u-black-sliding-patch-panel-24-position-sc-duplex-up-to-48-fibers>
- AFL reserves the right to make changes in this datasheet at any time without notice
- Information in this document is correct as of June 08, 2018

## Europe

+44 (0) 1908 441 144  
emeasales@aflhyperscale.com  
© Optronics 2018

## Americas

+1 800 790 9932  
usasales@aflhyperscale.com

## Middle East &amp; Africa

+971 4 404 9606  
mesales@aflhyperscale.com

## India

+91 80 46874687  
indiasales@aflhyperscale.com

## Asia Pacific

+86 755 2561 3694  
apacsales@aflhyperscale.com