

Product updated on May 25, 2018

## Fiber Optic Dome Enclosure 10-14



Up to 144 Fibers. The dome enclosure is suitable for protecting fiber cable splices in branching applications. Its well-engineered, injection-molded outer body makes it impenetrable to the elements. It can protect splices and ensure reliability with usage in ambient temperatures from -40°C to +65 °C. It can be placed in aerial, wall mounted, or duct mounted locations.

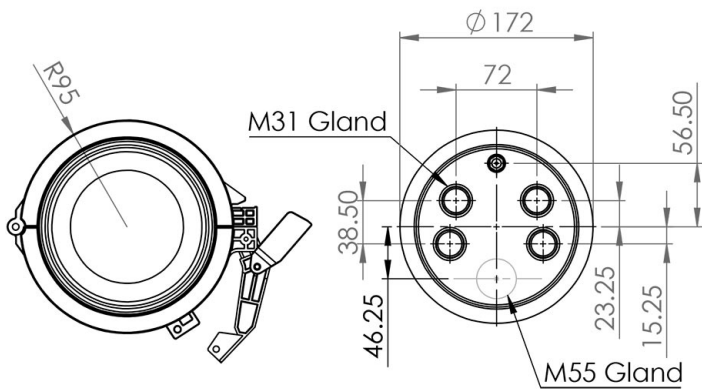
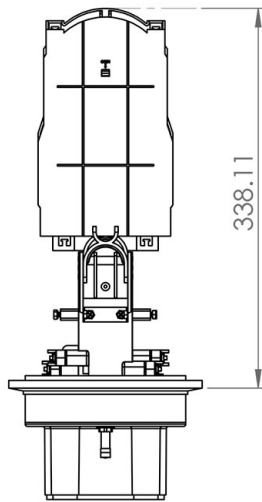
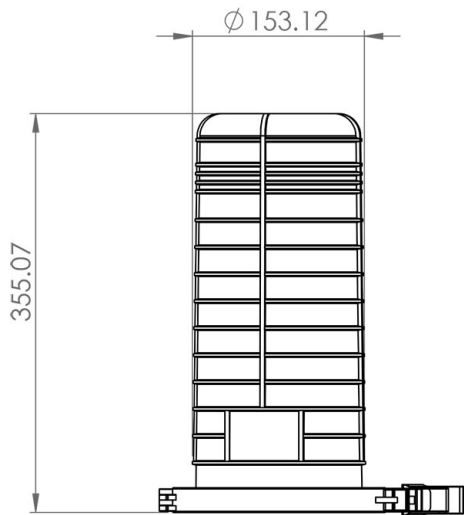
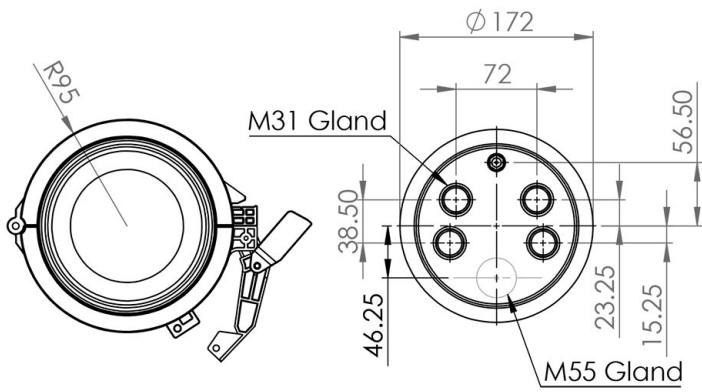
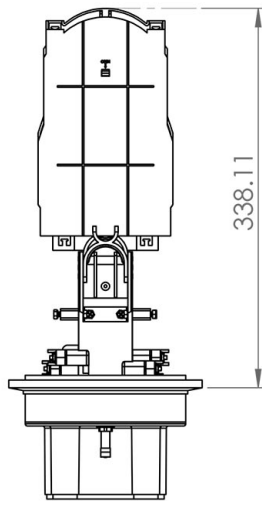
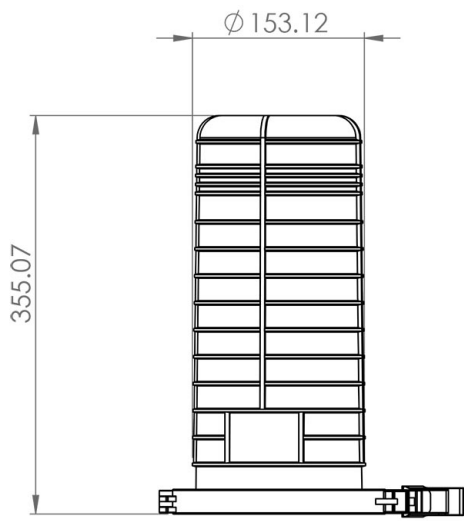
### FEATURES/BENEFITS

- Holds up to 144 fibers
- Easy to re-enter
- Cable entry/exit, 1 oval and 4 round
- Integrated pressure valve
- Termination and splice kit included
- Integrated seal, airtight and waterproof
- Ideal for cable repair
- RoHS compliant
- Pole mounting kit included
- Can be used in through, branch or mid-span splice locations
- Suitable for aerial, underground duct or manhole applications
- IP68 to 1.5mtr

## SPECIFICATIONS

## PRODUCT SPECIFICATION

Maximum Single Fiber Count	24 to 144
Maximum Fibers Per Tray	24
Maximum Number Of Trays	6
Number Of Cable Entry Points	4
Number of Uncut Cable Entry	1
Suitable For Cable Diameter	Ø8mm to 17.5mm
Sealing Rating	IP68
Sealing Method For All Entry And Exit	Mechanical
Height	450mm
Width	Ø230mm
Weight	3.8kg to 4.2kg
Colour	Black
Material	ABS
RoHS Compliant	Yes
Optimal Operating Temperature	-40 °C to +65 °C



## ORDERING INFORMATION

DESCRIPTION	PART NUMBER
24 Splice dome enclosure	DOME10
48 Splice dome enclosure	DOME11
72 Splice dome enclosure	DOME12
96 Splice dome enclosure	DOME13
144 Splice dome enclosure	DOME14



SCAN QR FOR PRODUCT PAGE

## FURTHER INFORMATION

- For additional information please contact your sales representative
- To view the product 360 visit the product page (Scan the QR code or visit the link below)
- Downloaded from <https://www.aflhyperscale.com/product/fiber-optic-dome-enclosure-10-14>
- AFL reserves the right to make changes in this datasheet at any time without notice
- Information in this document is correct as of May 25, 2018

## Europe

+44 (0) 1908 441 144  
emeasales@aflhyperscale.com  
© Optronics 2018

## Americas

+1 800 790 9932  
usasales@aflhyperscale.com

## Middle East &amp; Africa

+971 4 404 9606  
mesales@aflhyperscale.com

## India

+91 80 46874687  
indiasales@aflhyperscale.com

## Asia Pacific

+86 755 2561 3694  
apacsales@aflhyperscale.com